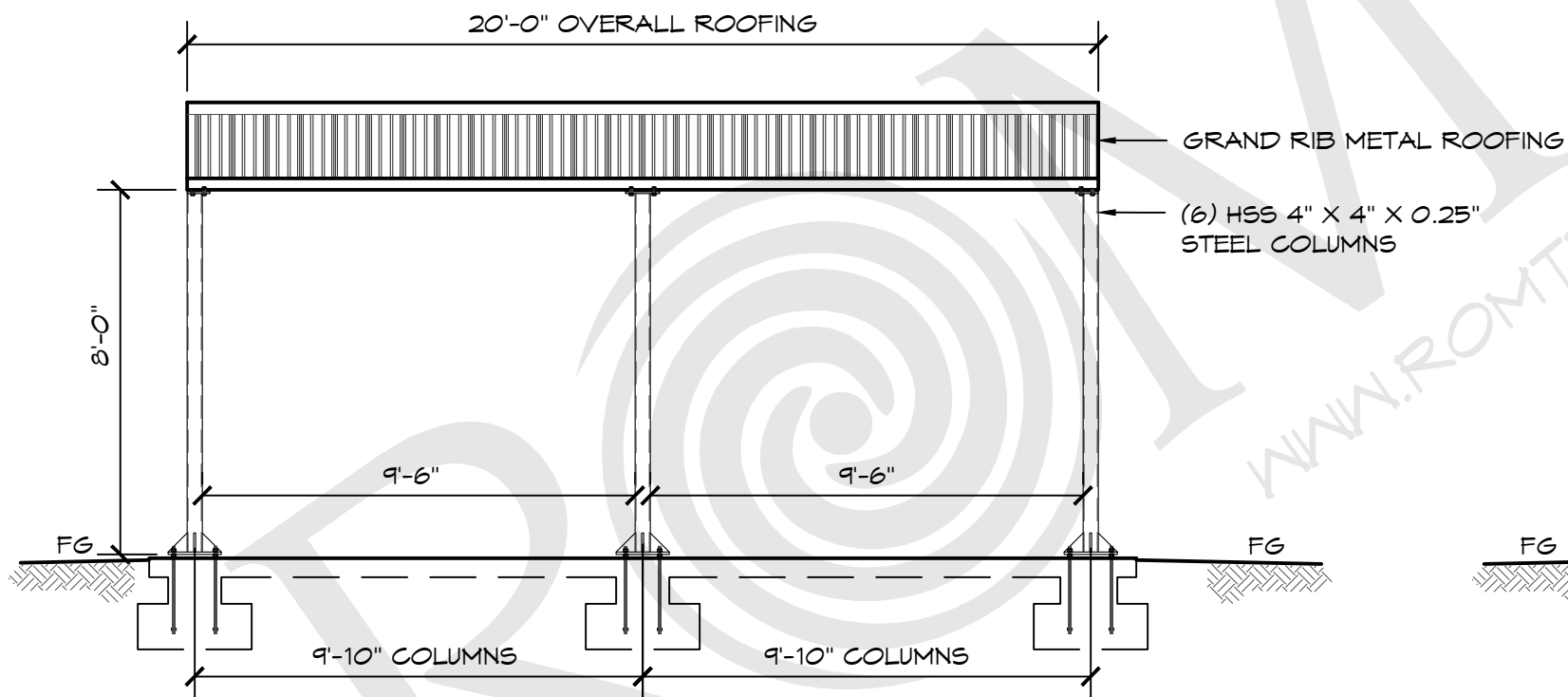
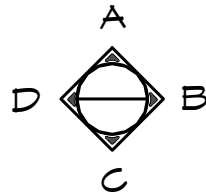
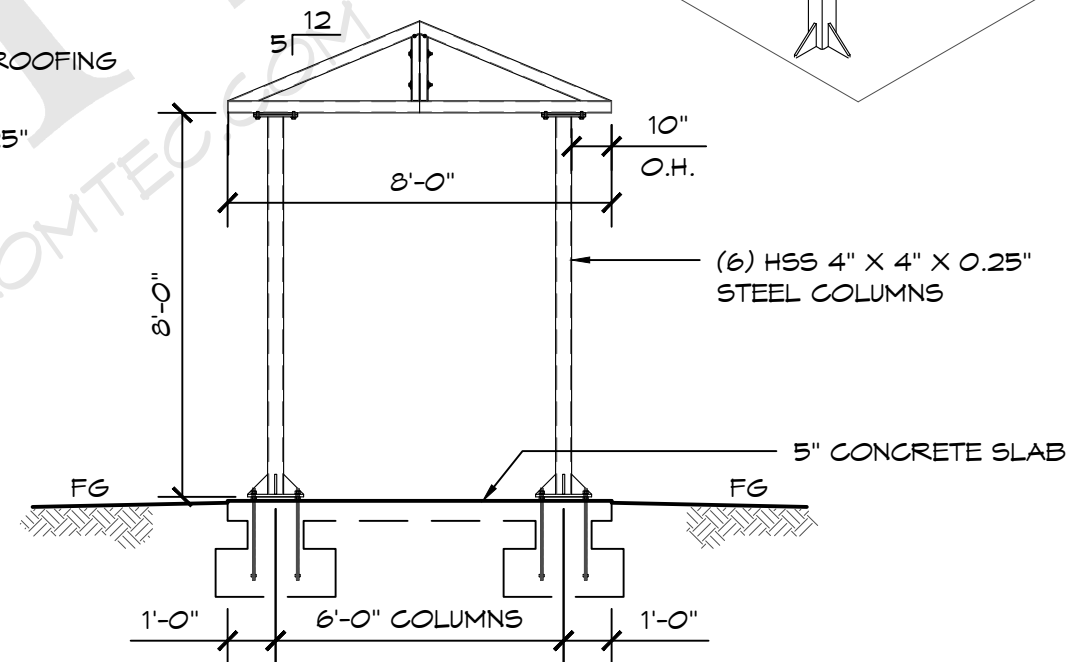


1 FLOOR PLAN
SCALE: 1/4" = 1'-0"



C ELEVATION VIEW
SCALE: 1/4" = 1'-0"



D ELEVATION VIEW
SCALE: 1/4" = 1'-0"

ROMTEC

18240 NORTH BANK ROAD - ROSEBURG, OR 97470
(541) 496-3541 FAX (541) 496-0803

PRELIMINARY

© 2023 ROMTEC, INC. ALL RIGHTS RESERVED. THESE PLANS AND DRAWINGS MAY NOT BE REPRODUCED, ADAPTED OR FURTHER DISTRIBUTED, AND NO BUILDINGS MAY BE CONSTRUCTED FROM THESE PLANS, WITHOUT THE WRITTEN PERMISSION OF ROMTEC, INC.

PROJECT: CUSTOMER PROJECT LOCATION
SHEET TITLE: FLOOR PLAN

PROJECT#:	XXXX
DATE:	00/00/11
REVISIONS	
REV.	DATE:
BY:	
DRAWN BY:	JS

SHEET NO.

01