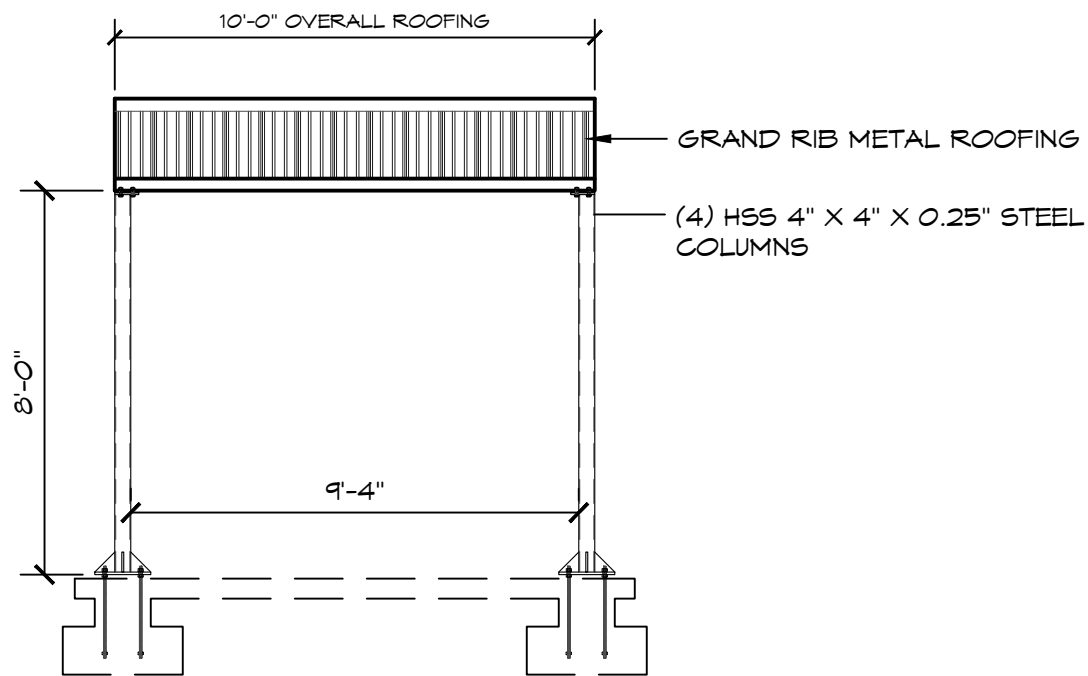
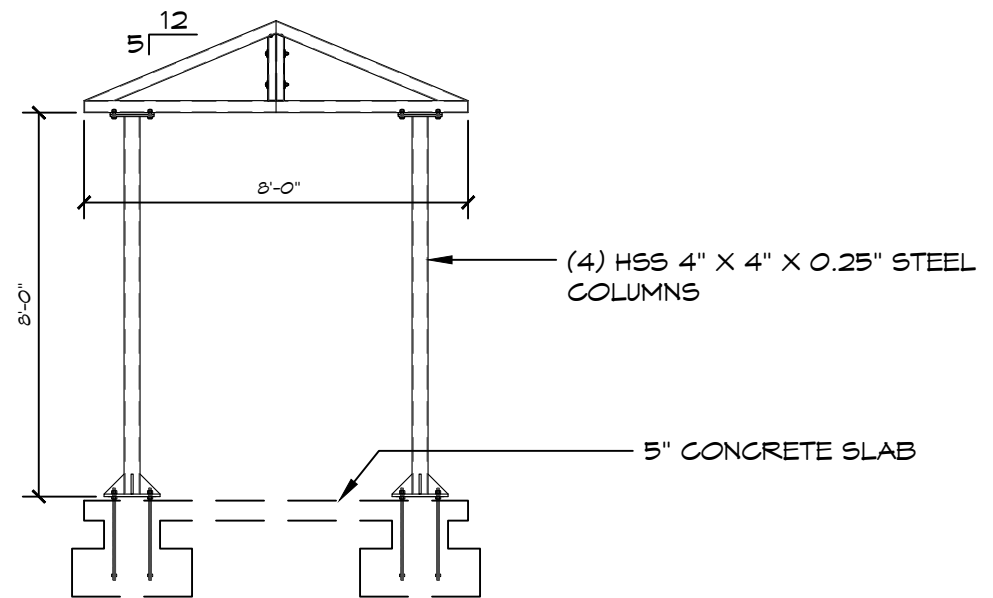
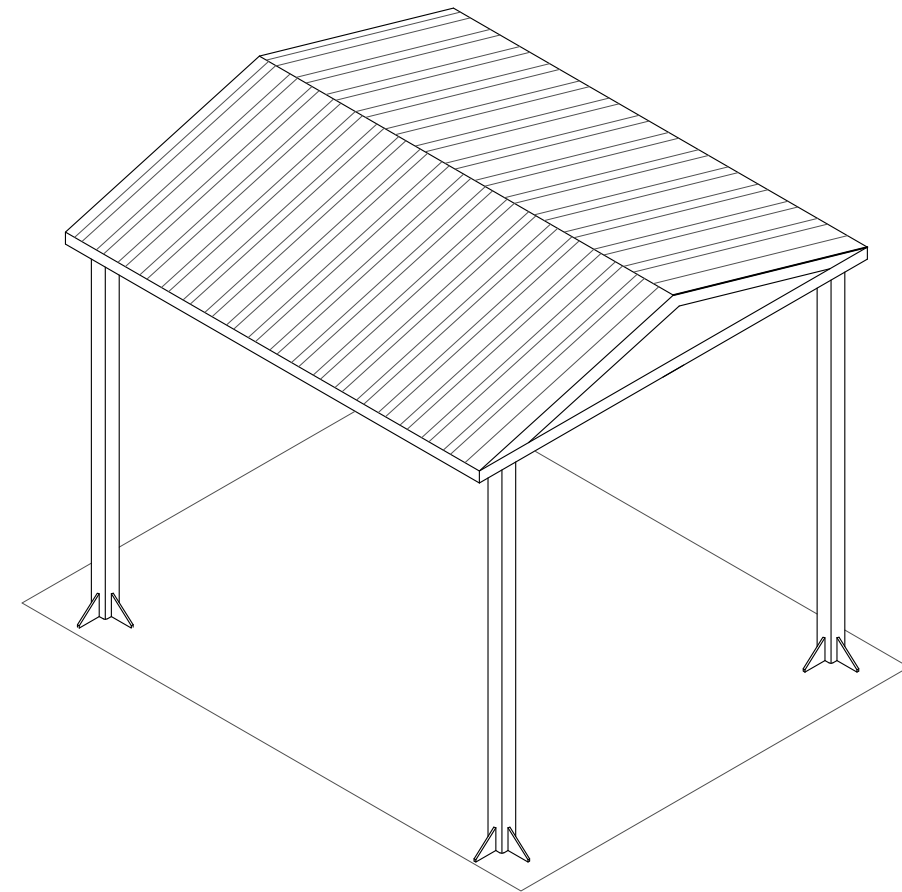


1 FLOOR PLAN
SCALE: 1/4" = 1'-0"



C ELEVATION VIEW
SCALE: 1/4" = 1'-0"



D ELEVATION VIEW
SCALE: 1/4" = 1'-0"

ROMTEC

18240 NORTH BANK ROAD - ROSEBURG, OR 97470
(541) 496-3541 FAX (541) 496-0803

PRELIMINARY

© 2023 ROMTEC, INC. ALL RIGHTS RESERVED. THESE PLANS AND DRAWINGS MAY NOT BE REPRODUCED, ADAPTED OR FURTHER DISTRIBUTED, AND NO BUILDINGS MAY BE CONSTRUCTED FROM THESE PLANS, WITHOUT THE WRITTEN PERMISSION OF ROMTEC, INC.

PROJECT:
CUSTOMER
PROJECT
LOCATION

PROJECT#: XXXX

DATE:
00/00/11
REVISIONS

REV. DATE BY

DRAWN BY: JS

SHEET NO.

01

SHEET TITLE: FLOOR PLAN