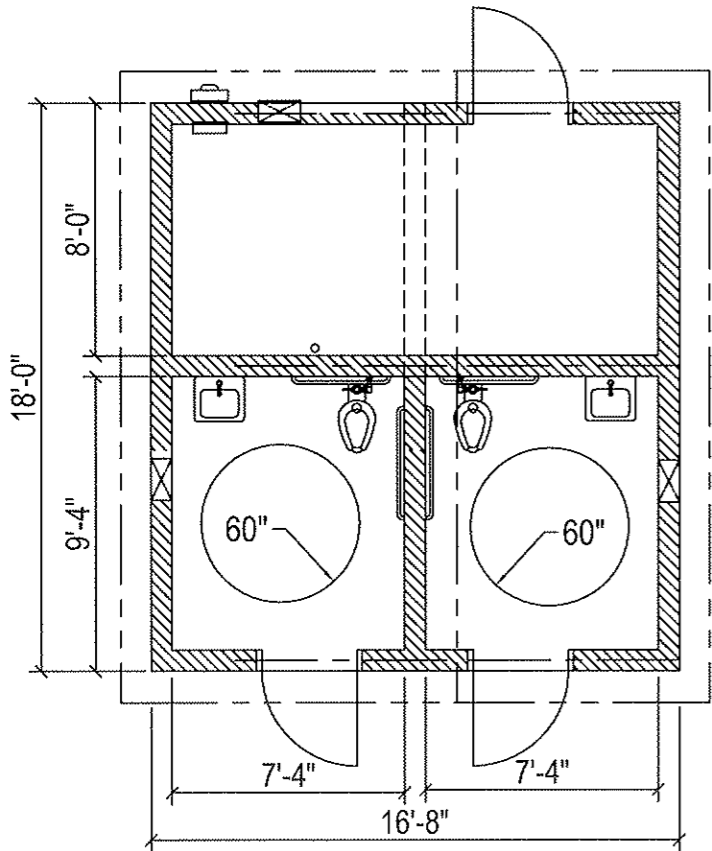


Sierra II Compact T-24 Concrete Restroom - (16'-8" x 18'-0")

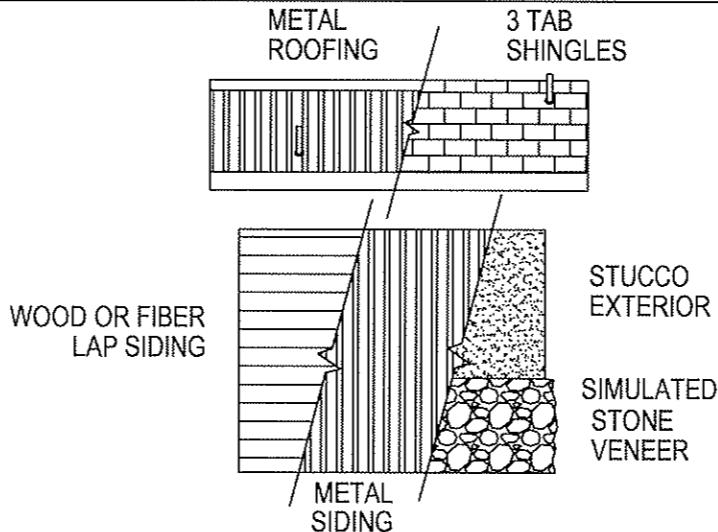
NTS - PRELIMINARY NOT FOR CONSTRUCTION

STANDARD ITEMS IN SIERRA CONCRETE BUILDING PACKAGE:
WALLS: 8" DRY-STACK CMU, (concrete filled & steel reinforced), BROWN OR GRAY COLOR, SPLIT OR SMOOTH EXTERIOR FINISH.
PREFAB ROOF PANELS: STRUCTURAL INSULATED PANELS. INTERIOR & EXTERIOR SHEATHING IS 7/16" STRUCTURAL OSB. R-23.
ROOFING: HI-RIB METAL ROOFING & TRIM OVER ROOFING FELT, MOCHA (dark brown) COLOR, OPTIONAL ROOFING COLORS AVAILABLE.
INTERIOR FINISH: WHITE FRP ON WALLS & VAULTED CEILING, UNFINISHED INTERIOR MECHANICAL ROOM WALLS.
DOORS & FRAMES: 3'-0" x 7'-0" GALV. STEEL DOOR, HONEYCOMB CORE, 2" FRAME, POWDERCOATED BLACK; COMMERCIAL HARDWARE.
WINDOWS: TRANSLUCENT LEXAN IN STEEL FRAME, POWDERCOATED BLACK.
SKYLIGHTS: RECTANGULAR IN ANODIZED ALUMINUM FRAME. STD. IN SIERRA III & IV, OPTIONAL IN SIERRA & PIONEER I, II & STRETCH.
WALL VENTS: EXPANDED STEEL MESH OVER GALV. LOUVERS W/ INSECT SCREEN IN STEEL FRAME, POWDERCOATED BLACK.
AVAILABLE FIXTURE PACKAGES:
PLUMBING: CHINA OR STAINLESS STEEL FIXTURES, GRAB BARS, MIRRORS; STALL PARTITIONS & DOORS; SHOWER FIXTURES.
ELECTRICAL: INTERIOR & EXTERIOR LIGHTS, PHOTOEYE, MAIN BREAKER PANEL.
OPTIONS (must be on quote to be supplied):
 SIGNS, PAPER & SOAP DISPENSERS, WASTE RECEPTACLES, DIAPER CHANGING STATIONS, LAV SHIELDS (lavatory pipe insulation boots), COMFORT HEAT, HAND DRYERS, WATER HEATER PKG., DOOR CLOSERS, ELECT. DOOR LOCKS, CONCESSION COUNTER & ROLL-UP WINDOW, ROOF EXTENSION, 3-TAB COMPOSITION OR CEDAR ROOFING, CUSTOM EXTERIORS (wood, stucco, fiber-cement, masonry).
IMPORTANT: REFER TO QUOTE AND SPEC. FOR THE ITEMS INCLUDED WITH YOUR BUILDING PACKAGE.

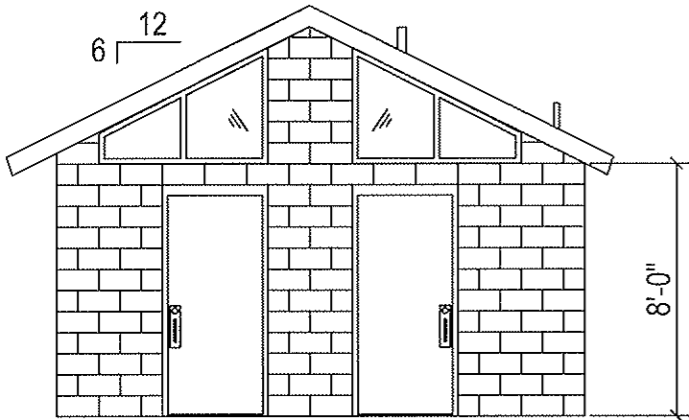
ROMTEC
 18240 NORTH BANK ROAD - ROSEBURG, OR 97470
 (541)-496-3541 info@romtec.com
 www.romtec.com



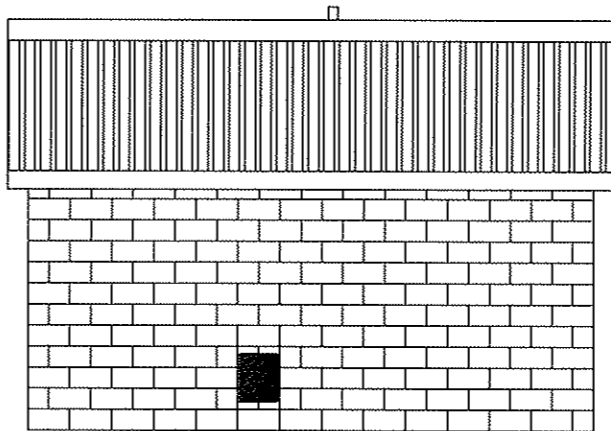
FLOOR PLAN



ROOFING CHOICES AND OPTIONAL EXTERIORS



FRONT VIEW



SIDE ELEVATION

| | |
|-----------|----|
| MODEL: | |
| 2024 | |
| DATE | |
| MM/DD/YY | |
| REVISIONS | |
| DATE | BY |
| | |
| | |
| DRAWN BY: | |
| BE | |
| SHEET NO. | |
| A2.1 | |