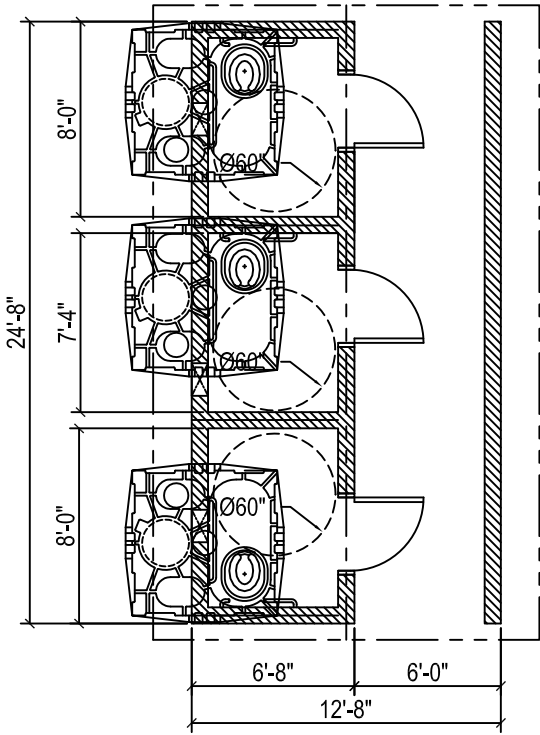
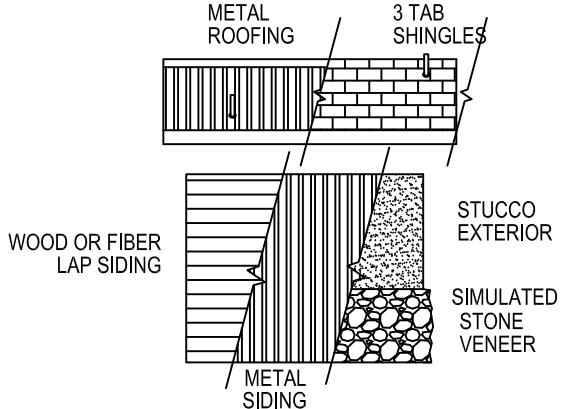


SST Aspen Stretch Triple Restroom - (12'-8" x 24'-8")

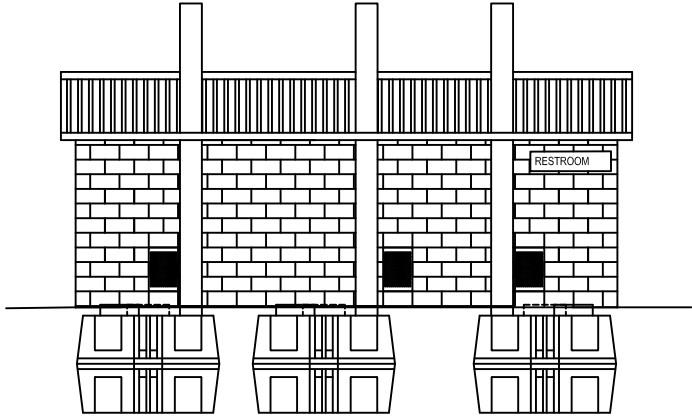
NTS - PRELIMINARY NOT FOR CONSTRUCTION



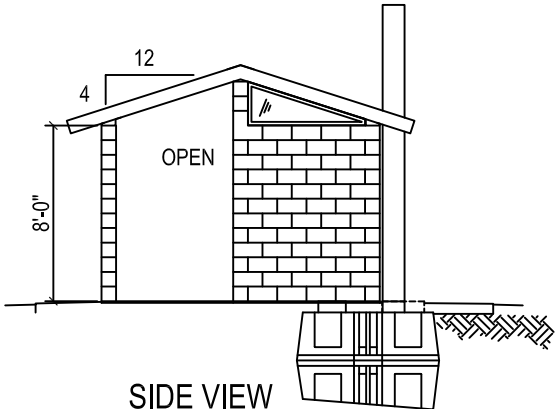
FLOOR PLAN



ROOFING CHOICES AND OPTIONAL EXTERIORS



FRONT VIEW



SIDE VIEW

MODEL: 1014

DATE: 04/01/04

REVISIONS:

DATE	BY

DRAWN BY: FB

SHEET NO. A2.1