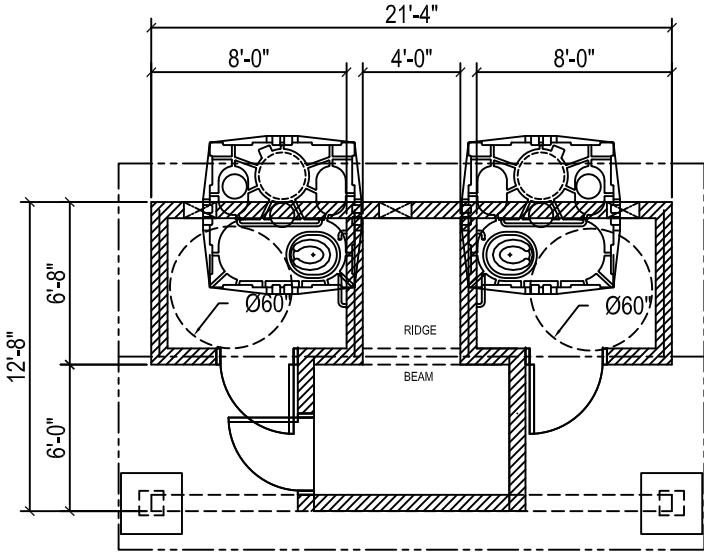
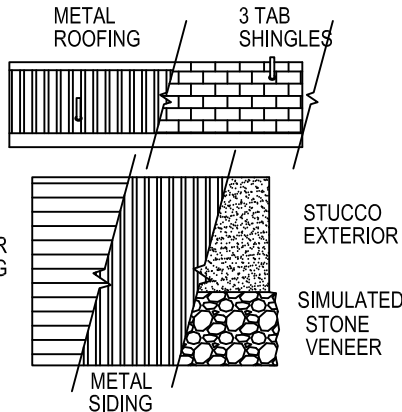


SST Aspen Stretch Double Restroom - (12'-8" x 21'-4")

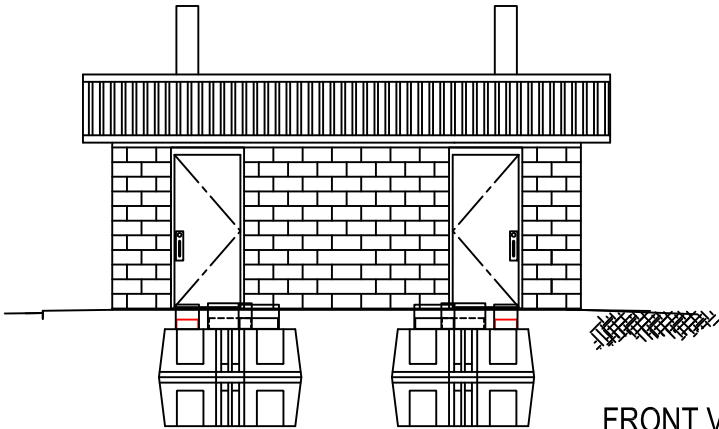
NTS - PRELIMINARY NOT FOR CONSTRUCTION



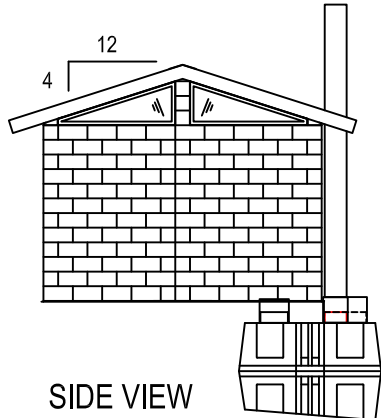
FLOOR PLAN



ROOFING CHOICES AND OPTIONAL EXTERIORS



FRONT VIEW



SIDE VIEW



MODEL:

1013

DATE

04/01/04

REVISIONS

DATE	BY

DRAWN BY:

FB

SHEET NO.

A2.1

18240 NORTH BANK ROAD - ROSEBURG, OR 97470
 (541)-496-3541 info@romtec.com
 www.romtec.com