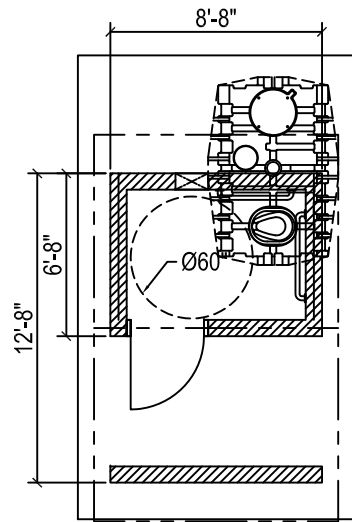
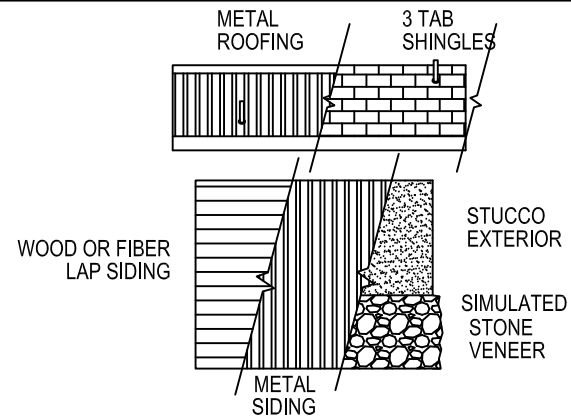


SST Aspen Single Restroom - (12'-8" x 8'-8")

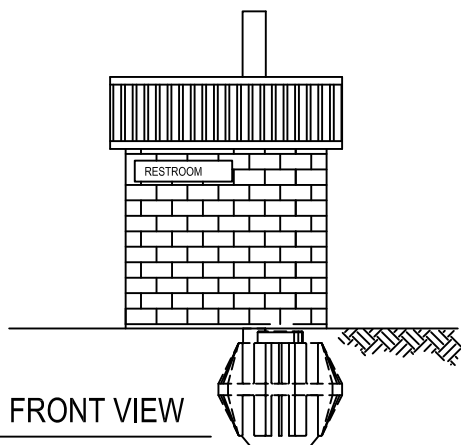
NTS - PRELIMINARY NOT FOR CONSTRUCTION



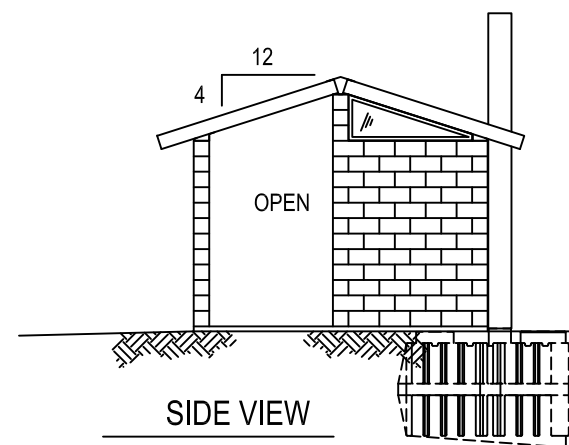
FLOOR PLAN



ROOFING CHOICES AND OPTIONAL EXTERIORS



FRONT VIEW



SIDE VIEW

MODEL:

1011

DATE

04/01/04

REVISIONS

DATE	BY

DRAWN BY:

FB

SHEET NO.

A2.1