

Splitlock Pre-Engineered Concrete Utility Building - (12'8" x 21'4")

NTS - PRELIMINARY NOT FOR CONSTRUCTION

STANDARD ITEMS IN CONCRETE UTILITY BUILDING PACKAGE:

WALLS: 8" DRY-STACK CMU, (concrete filled & steel reinforced). BROWN OR GRAY COLOR, SPLIT OR SMOOTH EXTERIOR FINISH.
PREFAB ROOF PANELS: 6" STEEL FRAME, 16" O.C., 3/4" CDX PLY. EXT. SHEATHING, R-19 INSULATION, WHITE FRP CEILING ON 7/16" OSB.
ROOFING: DELTA-RIB METAL ROOFING & TRIM OVER ROOFING FELT, "MOCHA" (dark brown) COLOR. OPTIONAL ROOFING COLORS AVAIL.
INTERIOR FINISH: WHITE FRP ON WALLS & VAULTED CEILING.
MAN DOORS & FRAMES: 3' x 7' OR OPT. 6' x 7' GALV. STEEL DOOR, HONEYCOMB CORE, 2" FRAME, POWDERCOATED BLACK, HARDWARE.
DOOR HARDWARE: ZINC-PLATED PULL HANDLE & PLATE WITH DEADBOLT, ZINC-PLATED SPRING HINGES (2) & STD. HINGE (1).
ROLL-UP DOORS: 8' x 7' GALV. STEEL WITH FLAT SLAT PROFILE, PAINTED GRAY OR TAN, PUSH-UP OPERATION WITH STD. SPRINGS.
WINDOWS: TRANSLUCENT LEXAN IN STEEL FRAME, POWDERCOATED BLACK.
PASSIVE WALL VENTS: EXPANDED STEEL MESH OVER GALV. LOUVERS W/ INSECT SCREEN IN STEEL FRAME, POWDERCOATED BLACK.
PREFAB STEEL BEAM(S): 8" x 8" STRUCTURAL STEEL TUBING WITH PREFAB ANCHORS & FASTENERS, POWDERCOATED BLACK.

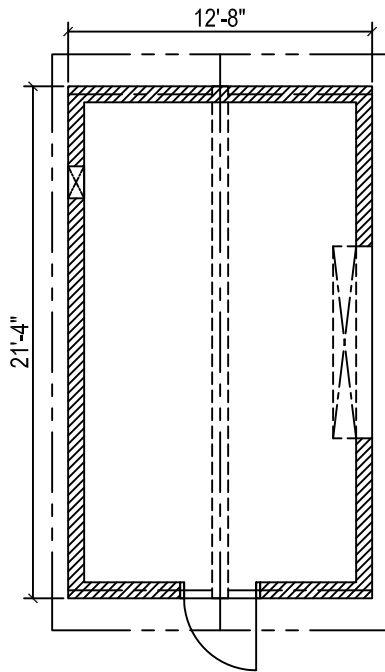
AVAILABLE FIXTURE PACKAGES:

ELECTRICAL: INTERIOR & EXTERIOR LIGHTS, PHOTOEYE, MAIN BREAKER PANEL.

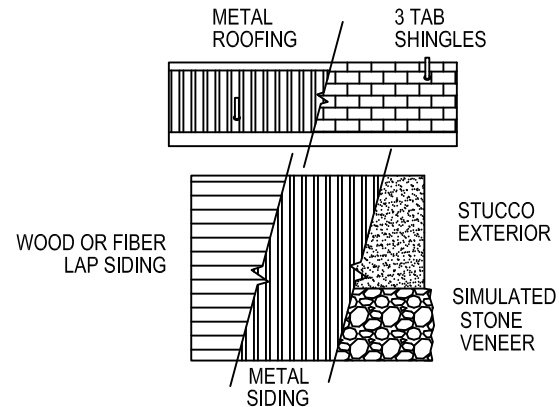
OPTIONS (must be on quote to be supplied):

I-BEAM FOR HOIST, HVAC, POWERED LOUVERS, EXHAUST FANS, AUXILIARY POWER GENERATOR, PLUMBING FIXTURES, EMERGENCY EYE-WASH STATIONS/SHOWERS, DOOR CLOSERS, SKYLIGHTS, ROOF EXTENSION, 3-TAB COMPOSITION ROOFING, CUSTOM EXTERIOR FINISHES (wood, stucco, fiber-cement, masonry).

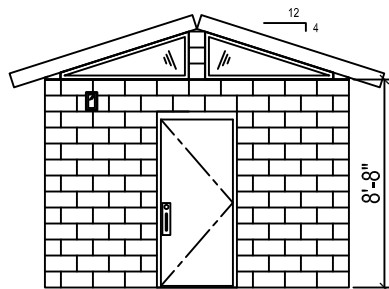
IMPORTANT: REFER TO QUOTE AND SPEC. FOR ITEMS INCLUDED WITH YOUR BUILDING PACKAGE.



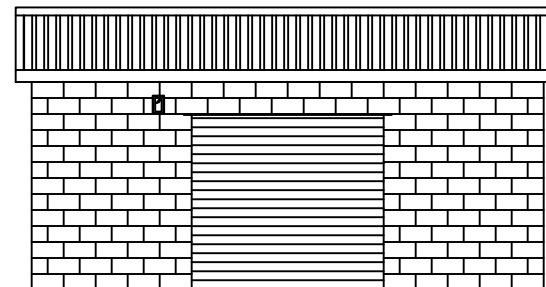
FLOOR PLAN



ROOFING CHOICES AND OPTIONAL EXTERIORS



FRONT VIEW



SIDE VIEW

MODEL:

2644

DATE

MM/DD/YY

REVISIONS

DATE	BY

DRAWN BY:
FB

SHEET NO.

A2.1