

# Splitlock Pre-Engineered Concrete Utility Building - (6'8" x 12'8" )

NTS - PRELIMINARY NOT FOR CONSTRUCTION

**STANDARD ITEMS IN CONCRETE UTILITY BUILDING PACKAGE:**

**WALLS:** 8" DRY-STACK CMU, (concrete filled & steel reinforced). BROWN OR GRAY COLOR, SPLIT OR SMOOTH EXTERIOR FINISH.  
**PREFAB ROOF PANELS:** 6" STEEL FRAME, 16" O.C., 3/4" CDX PLY. EXT. SHEATHING, R-19 INSULATION, WHITE FRP CEILING ON 7/16" OSB.  
**ROOFING:** DELTA-RIB METAL ROOFING & TRIM OVER ROOFING FELT, "MOCHA" (dark brown) COLOR. OPTIONAL ROOFING COLORS AVAIL.  
**INTERIOR FINISH:** WHITE FRP ON WALLS & VAULTED CEILING.  
**MAN DOORS & FRAMES:** 3' x 7' OR OPT. 6' x 7' GALV. STEEL DOOR, HONEYCOMB CORE, 2" FRAME, POWDERCOATED BLACK, HARDWARE.  
**DOOR HARDWARE:** ZINC-PLATED PULL HANDLE & PLATE WITH DEADBOLT, ZINC-PLATED SPRING HINGES (2) & STD. HINGE (1).  
**ROLL-UP DOORS:** 8' x 7' GALV. STEEL WITH FLAT SLAT PROFILE, PAINTED GRAY OR TAN, PUSH-UP OPERATION WITH STD. SPRINGS.  
**WINDOWS:** TRANSLUCENT LEXAN IN STEEL FRAME, POWDERCOATED BLACK.  
**PASSIVE WALL VENTS:** EXPANDED STEEL MESH OVER GALV. LOUVERS W/ INSECT SCREEN IN STEEL FRAME, POWDERCOATED BLACK.  
**PREFAB STEEL BEAM(S):** 8" x 8" STRUCTURAL STEEL TUBING WITH PREFAB ANCHORS & FASTENERS, POWDERCOATED BLACK.

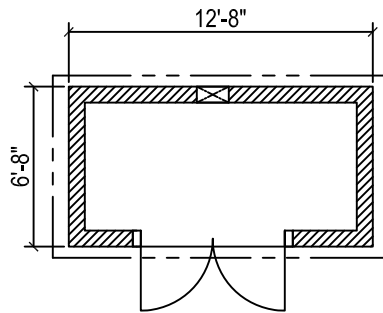
**AVAILABLE FIXTURE PACKAGES:**

**ELECTRICAL:** INTERIOR & EXTERIOR LIGHTS, PHOTOEYE, MAIN BREAKER PANEL.

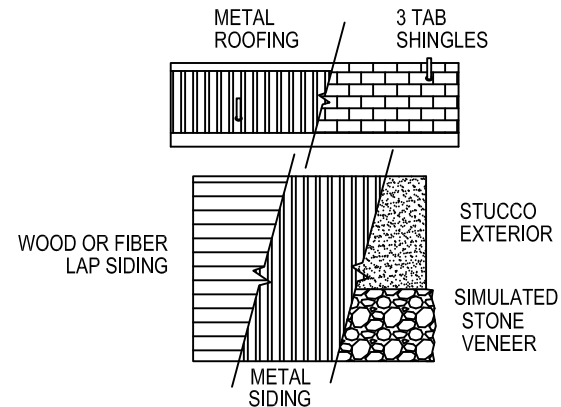
**OPTIONS (must be on quote to be supplied):**

I-BEAM FOR HOIST, HVAC, POWERED LOUVERS, EXHAUST FANS, AUXILIARY POWER GENERATOR, PLUMBING FIXTURES, EMERGENCY EYE-WASH STATIONS/SHOWERS, DOOR CLOSERS, SKYLIGHTS, ROOF EXTENSION, 3-TAB COMPOSITION ROOFING, CUSTOM EXTERIOR FINISHES (wood, stucco, fiber-cement, masonry).

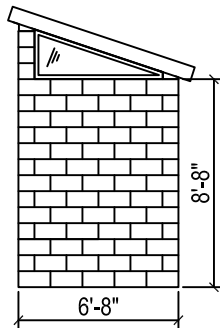
**IMPORTANT: REFER TO QUOTE AND SPEC. FOR ITEMS INCLUDED WITH YOUR BUILDING PACKAGE.**



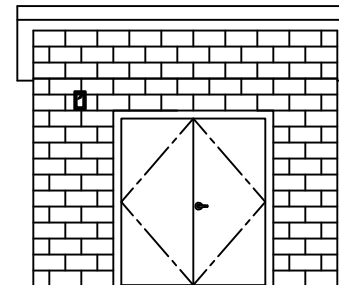
FLOOR PLAN



ROOFING CHOICES AND OPTIONAL EXTERIORS



FRONT VIEW



SIDE VIEW

MODEL:

2641

DATE

MM/DD/YY

REVISIONS

DATE	BY

DRAWN BY:

FB

SHEET NO.

A2.1